

Shower Tray Product Overview

Contemporary, lightweight SMC shower tray, designed in-house by AKW, reflecting the latest trends in industrial design.

Product Specification

- + **Construction materials:** SMC (Sheet Moulding Compound)
- + Strong (weight load 31.5 stone/200kg)
- + Lightweight (weighs under 3.9 stone/24.8kg)
- + Non-deformable webbed structure ensures excellent shock and impact resistance and easy installation
- + Low profile (Tray height: 26mm)
- + Can be cut to size (within 150mm from the waste)
- + Slate finish to improve slip resistance
- + Concealed waste, positioned at one end
- + Colour and finish co-ordinated waste cover, with slots to improve water flow
- + Shallow depth waste (54mm under the tray) with dry trap
- + Compatible with Larenco, Level Best, Silverdale and Standard screens
- + Suitable for installation 'on floor' or 'in floor'
- + Available in white
- + The DW90 Dry Waste has been redesigned in order to fit the Onyx Shower Tray. This is the only AKW waste compatible with the Onyx Shower Tray (see overleaf).

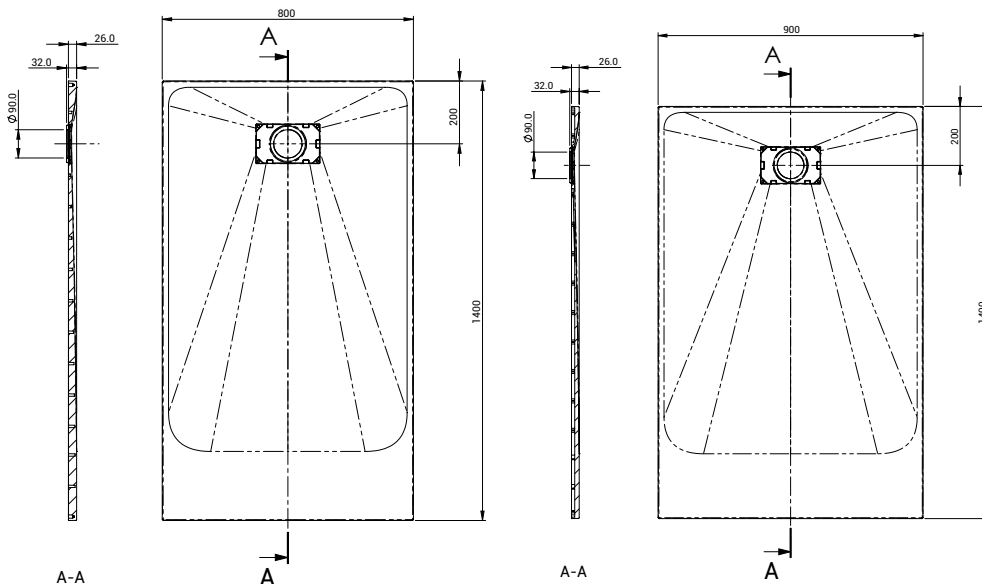
Guarantees & Certifications



The lifetime warranty excludes normal wear and tear in general domestic applications. It applies only to products being installed for the first time and according to relevant local and national regulations.



Dimensions:



Product Codes

Tray dimensions	White Tray only	Black Tray Only	Grey Tray only
800 x 800	11886	11890	11892
900 x 900	11887	11891	11893
1000 x 700	11888	11852	11875
1000 x 800	11851	11854	11876
1200 x 700	11889	11856	11877
1200 x 800	11853	11872	11878
1200 x 900	11855	11874	11879
1400 x 800	11871	11858	11880
1400 x 900	11873	11860	11881
1600 x 800	11857	11862	11882
1600 x 900	11859	11864	11883
1700 x 800	11861	11866	11884
1700 x 900	11863	11868	11885
1800 x 800	11865	11890	11892
1800 x 900	11867	11891	11893
1400 x 900	11886	11852	11875

DW90 Dry Waste Product Overview

The DW90 low level waste has been redesigned in order to fit the Onyx Shower Tray. This is the only AKW waste compatible with the Onyx Shower Tray. A pipe adaptor kit also available.

Product Specification

- + 90mm (suitable for Onyx trays only)
- + Very compact
- + Shallow 54mm depth (useful for solid floors)
- + Non-return valve prevents bad odour backflow
- + Trap will not dry out with sporadic use
- + Top access for easy cleaning
- + High flow rate (30 l/min with 25mm head and 1m of pipe)
- + Meets performance requirements of British Standards, BS EN 274 Part 2:2002

Guarantees & Certifications



Product Codes

Must be ordered with the Onyx Tray

Waste DW90 for Onyx Tray	25496
Pipe Adapter Kit	16-006-058

Related Product Codes

Onyx White Compact Shower Seat	02800WH-LS
Onyx Black Compact Shower Seat	02800BK-LS

